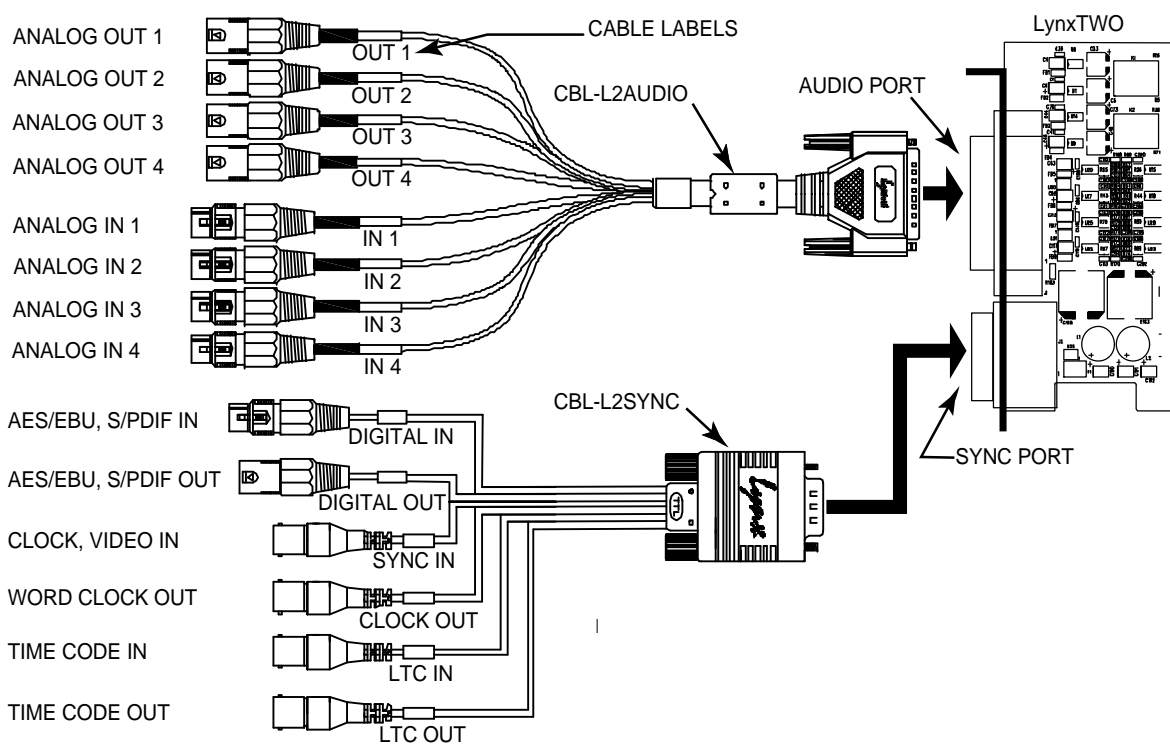


STEP 5: Cable Installation

Connect LynxTWO breakout cables to the Audio Port and Sync Port as shown below. Signals are assigned as follows:

- ❑ **Audio Port** provides connections for all analog audio I/O
- ❑ **Sync Port** provides connections for digital I/O, clock I/O, and time code I/O

The diagram shows connections for the A Model of the LynxTWO (4 in / 4 out). The other models differ in the number of analog inputs and output. The B Model has two analog inputs and six analog outputs. The C Model has six analog inputs and two analog outputs.



LynxTWO QUICK START GUIDE

Thank you for purchasing the LynxTWO from Lynx Studio Technology. This document will guide you through the installation process in a few easy steps. For more detailed information refer to the complete LynxTWO manual which is included on the installation CD in PDF format.

Check the contents of the shipping carton. It should include the following:

- ❑ LynxTWO PCI Card in anti-static bag
- ❑ LynxTWO Audio Cable – P/N CBL-L2AUDIO(A/B/C) with 8 XLR connectors
- ❑ LynxTWO Sync Cable – P/N CBL-L2SYNC with 4 BNC and 2 XLR connectors
- ❑ Male and female S/PDIF adapter cables
- ❑ Installation CD and Registration Card

Accessory cables available from Lynx

- ❑ CBL-ICC: Internal Clock Cable used to sync multiple LynxTWO's internally
- ❑ TRS and RCA adapter cables used to adapt from XLR connectors on the LynxTWO Audio Cable

Requirements

- ❑ Windows PC or Macintosh with an empty PCI Slot, CDROM drive, and third party audio software
- ❑ Phillips screwdriver (if necessary for securing PCI card bracket)

Support

If you have questions or comments regarding the operation of your LynxTWO please check the "Troubleshooting" section of the manual and the FAQ and Troubleshooting topics on the support section of the Lynx web site at:

<http://www.lynxstudio.com/support.html>

NEXT 

*Lynx***TWO** INSTALLATION INSTRUCTIONS

STEP 1: Install the LynxTWO in your computer

1. Turn OFF the power to your computer system and disconnect the power cords.
2. Touch a metal plate on your computer system to ground yourself and discharge any static electricity.
3. Remove the cover from your computer chassis and select an empty PCI slot in your computer.
4. Insert the LynxTWO into the selected PCI slot and press it down so that the contacts are securely seated.
5. Secure the bracket of the LynxTWO card to the computer chassis using a chassis screw or retaining bracket.
6. Replace the computer chassis cover and reconnect the power cord.

Multi-Card Systems: If you are installing more than one LynxTWO *and* synchronization between cards is required, connect the Lynx CBL-ICC internal clock cable (purchased separately) from the CLOCK OUT header of the master card to the CLOCK IN header of the slave. Use additional cables between subsequent slaves in a daisy chain fashion. In the Lynx Mixer adapter page, set the sample clock source / reference to **HEADER / WORD** for each slave LynxTWO. Refer to the manual for a detailed explanation of multi-card system configuration.

STEP 2: Insert Installation CD in CDROM Drive and Start Computer

The Installation CD contains all Windows and Macintosh files mentioned in the subsequent installation steps. As noted earlier, the disk includes the complete LynxTWO manual in addition to driver release notes and test files. If you do not have a CDROM drive or need a more recent version, these files are available on our website at <http://www.lynxstudio.com>.

If you are installing the LynxTWO in a Windows PC, skip the next step and go to STEP 4.

STEP 3: Macintosh Firmware Update (MAC ONLY)

For Macintosh compatibility, the firmware stored in the on-board flash memory must be updated prior to use. This is required because the LynxTWO ships from the factory with Windows firmware installed. To update the firmware:

1. Expand the file **L2Update_OS9.sit** (for OS9) or **L2Update_OSX.sit** (for OSX) using Aladdin Expander 5.0 or higher.
2. Run **L2Update** by double clicking on the L2Update program icon.
3. Select "Update" and wait for the program to complete.
4. Power off the computer for at least 10 seconds, then power the computer back on.

STEP 4: Install the LynxTWO Device Driver and Mixer

Windows 2000 and Windows XP

1. At startup you will receive a "Found New Hardware" notification followed by a "Found New Hardware Wizard" window. Press **"Cancel" to continue**.
2. From the system Start menu, select Run..., then type **d:\SETUP.EXE** into the Open window (where d: is the drive letter of your CD-ROM) and click the OK button.
3. When the "LynxTWO Windows NT Driver Installation Wizard" appears click Continue.
4. When the "Installation Complete" message appears, read the instructions on the screen, then press "Close".

NOTES: The Windows installation process installs both MME and ASIO compatible drivers in addition to the stand-alone LynxTWO Mixer application. These drivers provide compatibility with most popular third party applications. In ASIO compatible applications, select **"LynxTWO"** in the device setup window to choose the ASIO driver.

Macintosh OS9

1. Expand the **LynxTWO_OS9.sit** driver installation package using Aladdin Expander 5.0 or higher.
2. Move the file **LynxTWO** in to the **ASIO Drivers** folder inside your audio application's folder. Do not rename the LynxTWO file or the driver will not function properly.
3. Launch your audio application and select the "LynxTWO" driver in the device setup or configuration window.

NOTES: When the installation process is run under OS9, an ASIO compatible driver is installed. Sound Manager support is not provided.

Macintosh OSX

1. Expand the **LynxTWO_OSX.sit** driver installation package using Aladdin Expander 5.0 or higher.
2. Double-click on the **LynxTWO_OSX.pkg** file. This will start the driver installation.
3. Follow the on-screen instructions. You must restart your computer for the driver installation to complete.

NOTES: The OSX installation process installs both the CoreAudio driver and the Lynx Mixer application.

NEXT 